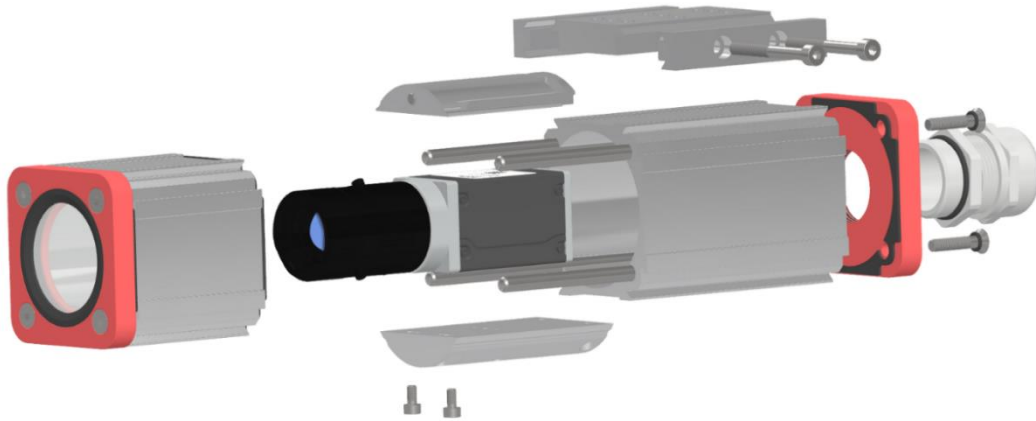


Industrial Camera Cover CH50

User manual v6

Installing the camera in the camera cover



Step 1 – Removing the front part of the camera cover

Remove the four screws to remove the front part (see Figure 1 – Dismantling the front part) and slide the front part forward.



Figure 1 – Dismantling the front part

Step 2 – Mounting the camera

Attach the lower fixed part of the spacer to the camera. The camera is screwed only to the front 2 screws for proper centering inside the housing. **Do not use double-sided adhesive tape! This would break the thermal bridge and cause future poor heat dissipation from the camera.** If the mounting holes in the bottom pad do not match the mounting holes in the camera, drill new holes. We will also prepare atypical mounting holes for you in advance, which is why we ask about the exact type of camera.

Place the top of the spacer and insert it on the guide rods as shown on figure. We also recommend dismantling the back of the cover (like the front) to lock the camera to the exact position by holding it from the back.

Insert the camera into the rear of the camera cover to the required distance (viz. Figure 2 - Mounting the camera) and lock with the screw A. By screwing screw A, the upper spacer will open, which will fix the camera in the exact position with firm pressure, as well as the proper heat dissipation of the camera into the body of the cover.



Figure 2 - Mounting the camera

Step 3 – Mounting the front of the camera cover

Make sure that you have the camera lens properly set and that it is at the correct distance behind the front glass.

Slide the front of the camera cover onto the guide bars and secure by screwing the screws to a torque of **2–3 Nm**. Do not use a higher tightening torque, as this would result in deformation of the EPDM profile seal and lost the IP protection.

Use the reverse procedure when dismantling.

Connecting cables



Figure 3 – Removing the back of the cover

Remove the back of the cover if you did not do it in step 2.

The cable gland allows installation of two 4–6 mm diameter cables. If you use only one cable, use the included blind seal in the second hole.

Attention! The \varnothing 6 mm seal is longer than the insert itself. The \varnothing 6 mm seal must be inserted at least 5 mm over the insert's edge on the both sides! **Subsequently, it is necessary to tighten the nut of the cable gland as much as possible. If the \varnothing 6 mm seal does not protrude from both sides of the insert, over time it will be pushed out of the housing or inside the housing and the IP protection will be violated!**

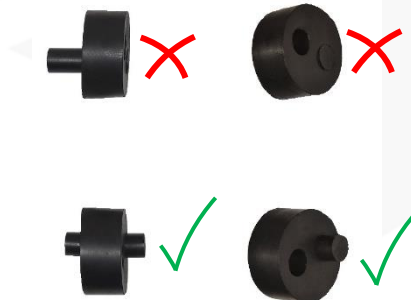


Figure 4 – Correct and incorrect \varnothing 6 mm seal into the insert before tightening the cable gland

How to install the cables:

- 1) Unscrew the cable gland nut and thread it on the cables.
- 2) Install the sealing ring and pass through the gland.
- 3) Connect the cables to the camera connectors and screw in the gland nut.
- 4) Install the back of the cover.

Additional lens adjustment

To adjust the aperture or focus of the lens, it is necessary to dismantle the front of the cover according to the procedure in „Step 1 – Removing the front of the camera cover“.

After setting the lens, install the front cover back to position.

Installation of the camera cover using a mounting kit

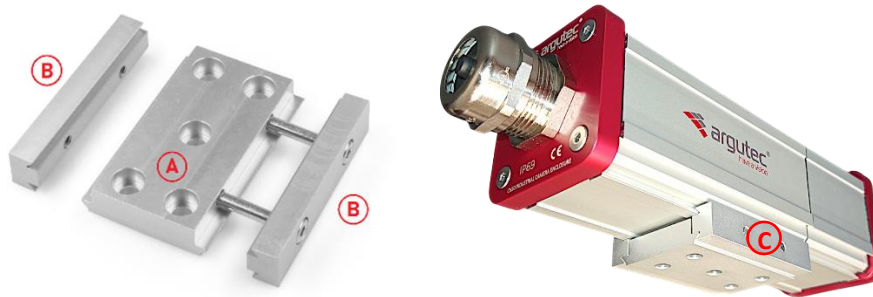


Figure 5 – Installing mounting kit

- 1) Attach the mounting pad A using any prepared holes on the construction.
- 2) Attach the side sections B of the mounting kit using the grooves to the camera cover and the mounting plate.
- 3) Screw the screws C.

Maintenance

The enclosure is designed for industrial premises and is intended to cover the camera. Aluminum parts need not be kept clean. If necessary, use a damp cloth to clean. Do not use aggressive cleaning substances that could damage the seal. Do not use alcohol-based products on the CH50.DIA50.PMMA front face, as this will cause the front face to crack.

For the correct operation of the camera it is necessary to keep the cover glass clean. Blow dust with compressed air or use a damp cloth.

Repairs

Do not repair the cover or individual parts. Surface scratching of aluminum does not affect the properties of the cover. If the cover, glass, or any of the seals is mechanically damaged, its properties will be lost. Do not use the damaged cover. In case of repair of the cover, contact the manufacturer.

The logo on the cover is printed with UV printing technology. The effect of pressurized water and cleaning may wash away or partially wash away the logo. This does not affect the functional parameters of the product and is not considered a defect.

Disposal

Dangerous substances were not used during the production of the cover. Hand over the cover for disposal in any collection yard.

Technical specifications

Material properties

Body	Anodised Aluminium
Seal	EPDM
Glass CH50.DIA35	H-K9L (N-BK7 borosilicate equivalent, anti-reflection coating MgF2 (standard 390~700 nm))
Glass CH50.DIA50	PMMA
Cable gland	Nickel-plated brass, NBR
Mounting kit	Anodised Aluminium

Dimensions, environment

External dimensions CH50.DIA35	Cross section 56 x 56 mm, length 200 ± 2,5 mm incl. the cable gland
External dimensions CH50.DIA50	Cross section 56 x 56 mm, length 197 ± 2,5 mm incl. the cable gland
Internal dimensions	Ø 50 mm
Window CH50.DIA35	Ø 35 mm
Window CH50.DIA50	Ø 50 mm
Protection class	IP 69
Weight	600 g including accessories

Manufacturer, State of origin

Argutec, s.r.o.
Na Nivach 1339/4
700 30 Ostrava-Zabreh
Czech Republic

